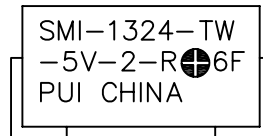


THIS DOCUMENT CONTAINS DATA PROPRIETARY TO PROJECTS UNLIMITED, INC. ANY USE OR REPRODUCTION, IN ANY FORM, WITHOUT PRIOR WRITTEN PERMISSION OF PROJECTS UNLIMITED, INC. IS PROHIBITED.  
© 2003, Projects Unlimited Inc.

### SPECIFICATIONS

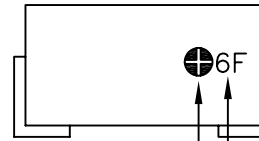
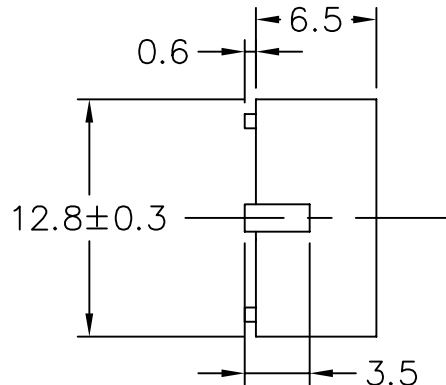
PARAMETERS	VALUES	UNITS
RATED VOLTAGE	5	Vdc
OPERATING VOLTAGE RANGE	4 ~ 7	Vdc
RATED CURRENT (MAX)	30	mA
MINIMUM SPL @ 10 cm	88	dBA
RESONANT FREQUENCY	2,400±400	Hz
TONE OR PULSE RATE	CONTINUOUS	0 PULSE PER SECOND
OPERATING TEMPERATURE	-40 ~ +85	°C
STORAGE TEMPERATURE	-40 ~ +85	°C
HOUSING MATERIAL	PPS	-
TERMINAL MATERIAL	Sn PLATED BRASS	-
WEIGHT	2	grams



REMOVABLE WASH TAB

9.8±0.3

12.8±0.3

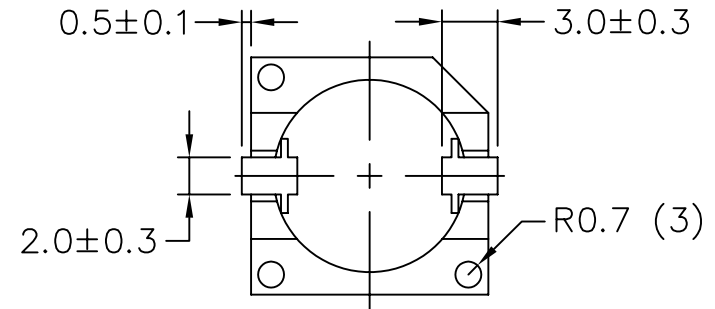


SILK SCREEN MARKING  
COLOR: SILVER

DATE CODE MARKING

"6 F"

YEAR: 6=2006 MONTH: F=JUN



#### NOTES:

1. THIS PART IS RoHS 2002/95/EC COMPLIANT.
2. ALL DIMENSIONS ARE IN MILLIMETERS.
3. SPECIFICATION SUBJECT TO CHANGE OR WITHDRAWAL WITHOUT NOTICE.
4. MAXIMUM REFLOW TEMPERATURE IS 260°C.

FILE NAME  
SMI-1324-TW-5V-2-R.DWG

### REVISIONS

LTR	DESCRIPTION	DATE	APPROVED
-	RELEASED FROM ENGINEERING	8/2/04	
A	REVISED TERMINAL MATERIAL	12/13/04	R. W.
B	REMOVED LEAD FREE ADDED RoHS NOTE	8/10/05	
C	ADDED NOTE 4	11/02/05	B. R.
D	REVISED TERMINAL MATERIAL	3/20/06	B. R.
E	REVISED TEMPERATURES ADD DATE CODE	6/14/06	R. W.
F	REVISED LAYOUT ADDED SIDE DIMENSION	8/16/06	B. R.

UNLESS OTHERWISE SPECIFIED:  
DIMENSIONS ARE IN MILLIMETERS, TOLERANCES ARE ±0.5 AND ANGLES ARE ±3°.



Dayton, Ohio

APPROVALS DATE

DRAWN R.A.C. 8/04

APPROVED R.W. 8/04

DO NOT SCALE DRAWING

SIZE  
A

SURFACE MOUNT INDICATOR  
SMI-1324-TW-5V-2-R

DRAWING NO.  
SMI-1324-TW-5V-2-R

SCALE: N.T.S.

SHEET 1 OF 1